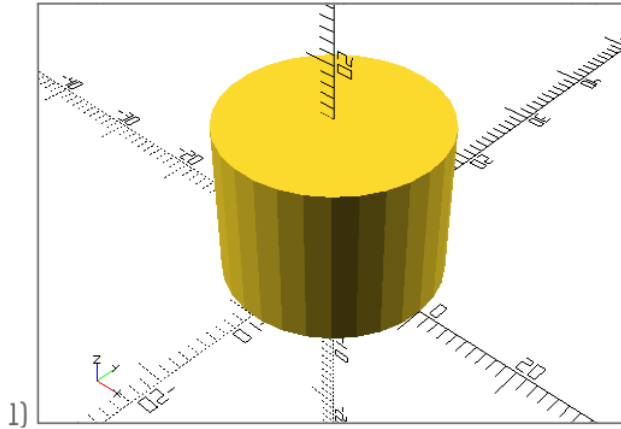
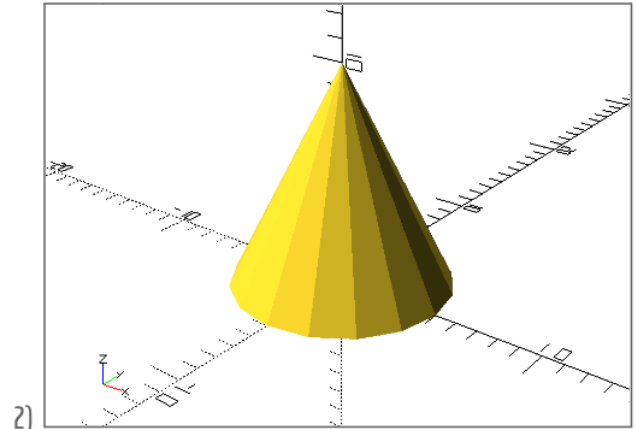


3D Shapes - Parameters

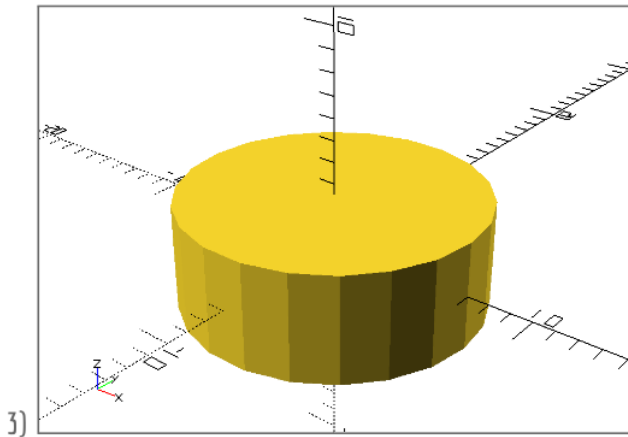
Identify the correct collection of parameter values that would result in the given shape.



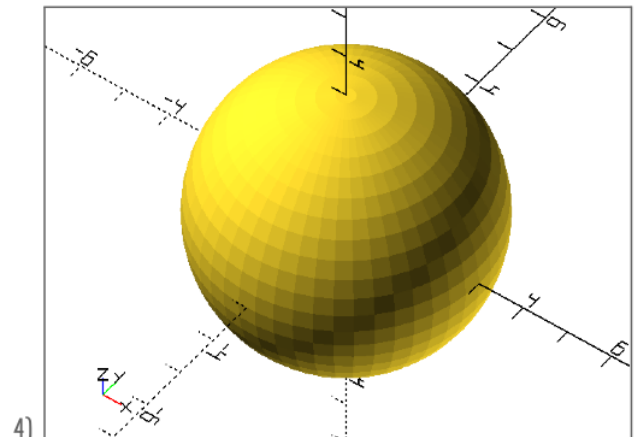
cylinder(h= ____, r= ____);



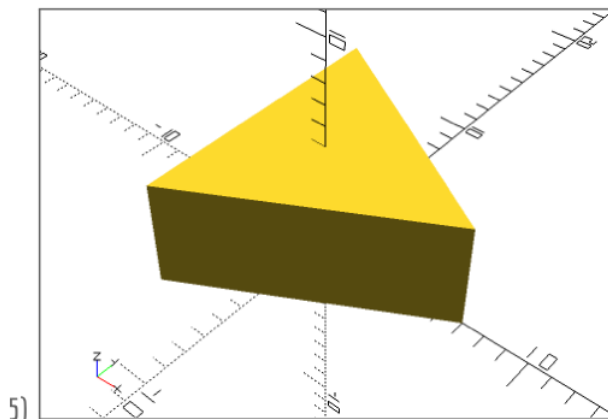
cylinder(h= ____ r1= ____ r2= ____);



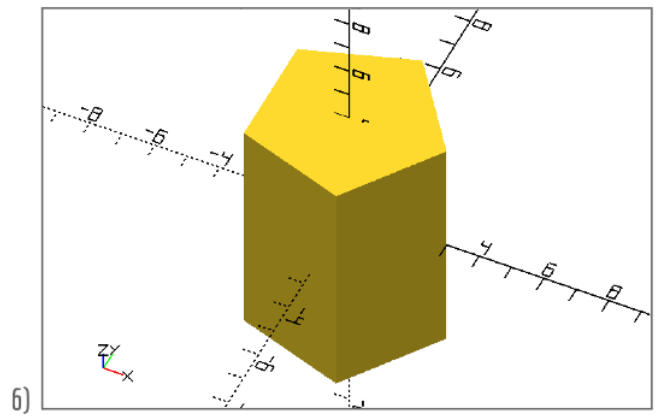
cylinder(h= ____ r= ____ center= ____);



sphere(r= ____);



cylinder(h= ____ r= ____ \$fn= ____);



cylinder(h= ____ r= ____ \$fn= ____ center= ____);